



CAMLOCK
SYSTEMS

PRODUCT SPECIFICATION

Series 31 Cam Lock

SERIES 31

ZINC ALLOY CAM LOCK WITH A 10 DISC TUMBLER MECHANISM.



OVERVIEW

Robust flat key lock with heavy duty keys

Designed for lockers and cabinets requiring minimal security but high volume operation, the Series 31 and its keys are able to withstand heavy use.

Available in 20mm body length only. A wide range of compatible cams are available. Special cams subject to order quantity.

Product features

- o Allows for both key retained and non-retained operation
- o Positive-click locking action safely secures cam when open
- o Heavy duty keys for repeated use
- o Special cams available to order subject to quantity
- o Master key available on request

TECHNICAL DATA

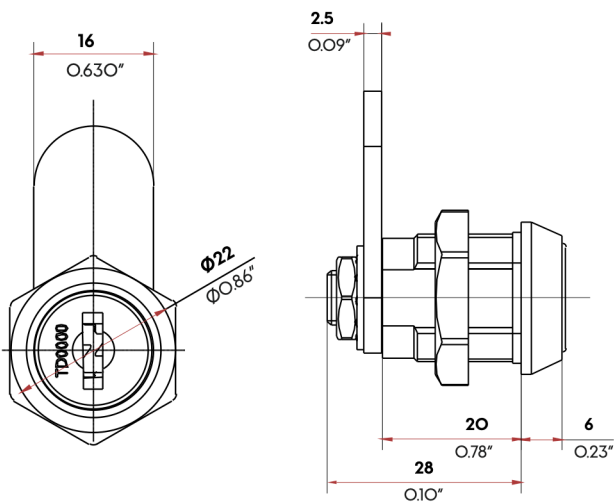
Number of key differs	5,000
Mechanism	Disc tumbler
Body material	Zinc alloy
Finish	Bright chrome plating
Patent protection	No
Key registration	Yes
Master keying	Yes
Key suite options	Keyed alike and keyed to differ
Body length	20mm
Fixing hole dimensions	Standard 19mm x 16mm 'double D' punch
Lock fixing	Brass body nut or horseshoe clip
Key operations	90° turn with free key in locked position, or 180° free key when locked or unlocked.

**SMARTER
LOCKING**

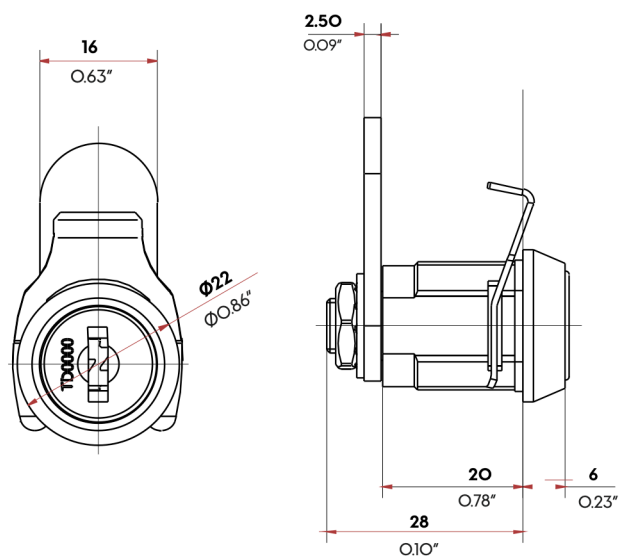


TECHNICAL DRAWINGS

Shown with body nut



Shown with horseshoe clip



ADDITIONAL PRODUCT IMAGES



KEY OPERATIONS



Key movement: 1

Key starting position: 12 o'clock
Key rotation: 90°
Key ending position: 3 o'clock
Key when unlocked: Trapped



Key movement: 2

Key starting position: 12 o'clock
Key rotation: 90°
Key ending position: 9 o'clock
Key when unlocked: Trapped



Key movement: 3

Key starting position: 12 o'clock
Key rotation: 90°
Key ending position: 3 o'clock
Key when unlocked: Free



Key movement: 5

Key starting position: 12 o'clock
Key rotation: 180°
Key ending position: 6 o'clock
Key when unlocked: Free