



**CAMLOCK**  
SYSTEMS

**PRODUCT SPECIFICATION**

Series 28 Cam Lock

# SERIES 28

**SOLID BRASS CAM LOCK WITH OUR SEVEN-PIN OCTAGON MECHANISM.**



## OVERVIEW

Popular RPT with our exclusive mechanism.

The Series 28 includes our exclusive Octagon mechanism - a high-security seven-pin, Radial Pin Tumbler. Constructed in high-quality brass, it offers good security and key control in a range of four body lengths.

Compatible with a wide range of cams, all available to order as additional items.

### Product features

- o Anti-drill centre for added protection
- o Highly durable brass construction with chrome plating
- o Medium physical and manipulation resistance
- o Optional key registration for optimal key control
- o Suitable for both indoor and outdoor use

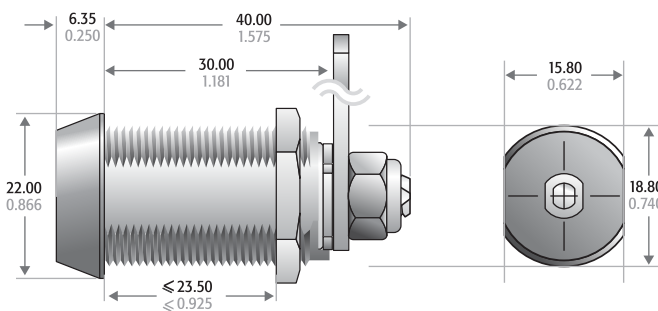
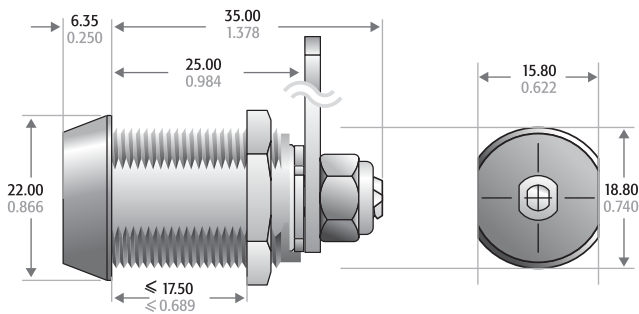
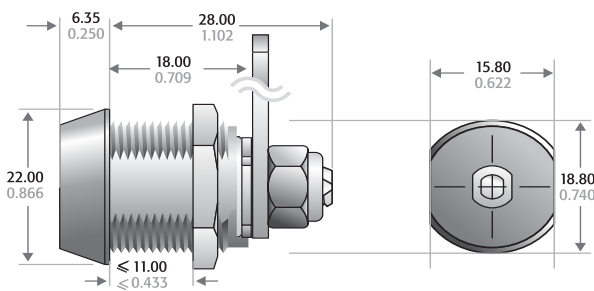
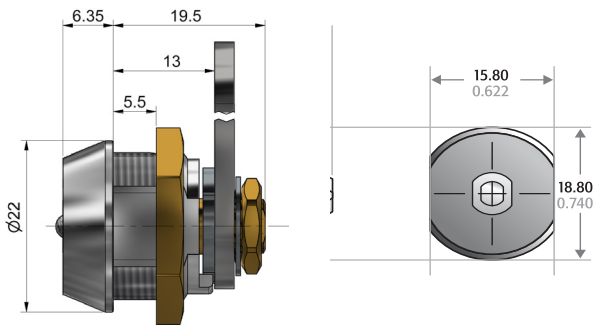
## TECHNICAL DATA

Number of key differs	500,000
Protective features	Anti-drill centre
Mechanism	Octagon Radial Pin Tumbler
Body material	Solid brass
Finish	Chrome plated
Patent protection	No
Key registration	Yes
Cross suiting (within the 28 Series)	Yes
Master keying	Yes
Key suite options	Keyed alike and keyed to differ
Body length	13mm, 18mm, 25mm, 30mm
Fixing hole dimensions	Standard 19.1mm x 15mm double D punch
Lock fixing	2BN nut (supplied, except 13mm) and a nyloc tail nut
Key operations	3, 6, 9, 12 o'clock trapped and free key

**SMARTER  
LOCKING**



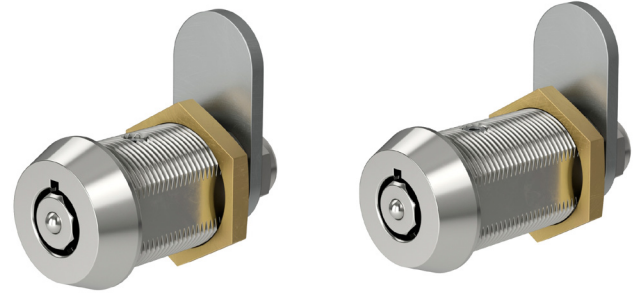
## TECHNICAL DRAWINGS



## ADDITIONAL PRODUCT IMAGES

25mm

30mm

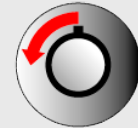


## KEY OPERATIONS



### Key movement: 1

Key starting position: 12 o'clock  
Key rotation: 90°  
Key ending position: 3 o'clock  
Key when unlocked: Trapped



### Key movement: 2

Key starting position: 12 o'clock  
Key rotation: 90°  
Key ending position: 9 o'clock  
Key when unlocked: Trapped



### Key movement: 3

Key starting position: 12 o'clock  
Key rotation: 90°  
Key ending position: 3 o'clock  
Key when unlocked: Free



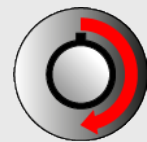
### Key movement: 4

Key starting position: 12 o'clock  
Key rotation: 90°  
Key ending position: 9 o'clock  
Key when unlocked: Free



### Key movement: 5

Key starting position: 12 o'clock  
Key rotation: 180°  
Key ending position: 6 o'clock  
Key when unlocked: Free



### Key movement: 6

Key starting position: 12 o'clock  
Key rotation: 180°  
Key ending position: 6 o'clock  
Key when unlocked: Trapped



### Key movement: 9

Key starting position: 12 o'clock  
Key rotation: 360°  
Key ending position: 12 o'clock  
Key when unlocked: Up to four positions free