



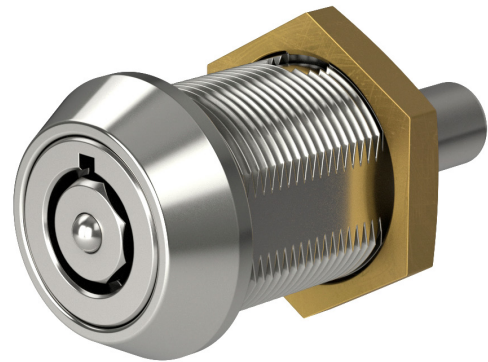
**CAMLOCK**  
SYSTEMS

**PRODUCT SPECIFICATION**

Series 25 Push Lock

# SERIES 25

**BRASS PUSH LOCK  
WITH OUR SEVEN PIN,  
OCTAGON MECHANISM.**



## OVERVIEW

### Popular threaded Octagon Push Lock

The **Series 25** is a compact, seven pin Push Lock including our seven pin, Octagon mechanism. It has a threaded body designed to fit standard 'double D' fixing holes and requires a body nut for panel fixing.

### Product features

- o Anti-drill centre provides added protection
- o Seven pin, radial pin tumbler mechanism
- o Simple push-to-lock, key-to-open operation
- o Medium manipulation resistance

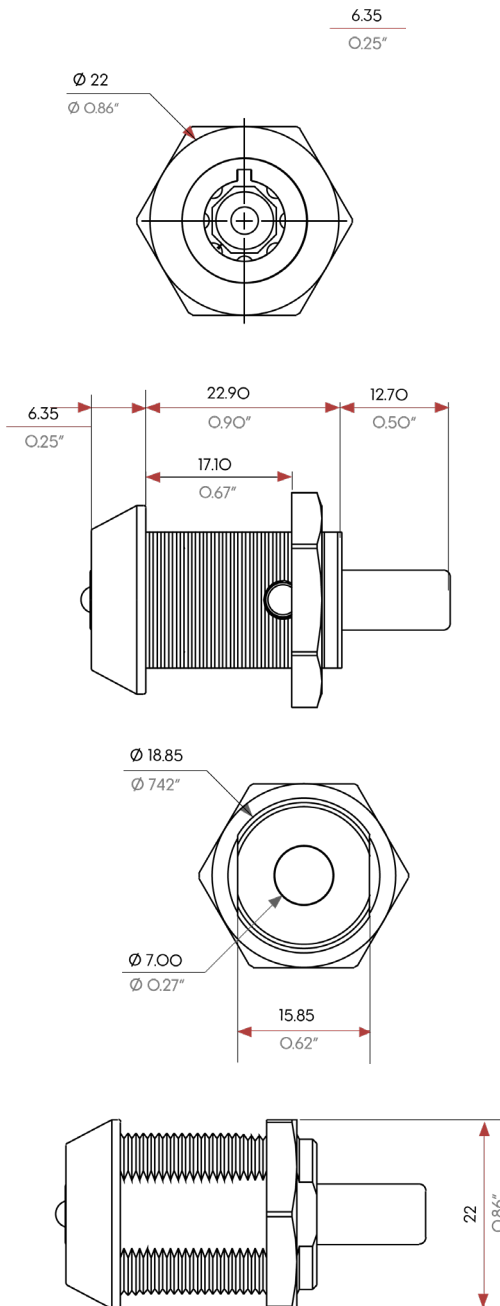
## TECHNICAL DATA

Number of key differs	500,000
Mechanism	Seven pin, Radial Pin Tumbler
Body material	Brass
Finish	Polished chrome
Patent protection	No
Key registration	No
Master keying	No
Key suite options	Keyed alike and keyed to differ
Body length	23mm

**SMARTER  
LOCKING**



**TECHNICAL DRAWINGS**



**ADDITIONAL PRODUCT IMAGES**

