



CAMLOCK
SYSTEMS

PRODUCT SPECIFICATION

Series 8840

8840

**SURFACE MOUNTED, SLIMLINE
T-HANDLE WITH A SHORT,
TUBULAR BODY**



OVERVIEW

Flush, slimline T-Handle with four finishes

This smart looking, slim profile swing handle is suitable for outdoor cabinetry. The 501 accepts a choice of two high security brass or zinc alloy cylinders for a robust solution. Concealed locking bolt
A range of suitable cams are available, including special, cracked cams for multi-point locking.

Product features

- o Slim front profile for flush fitting and attractive appearance
- o Will accept a range of camlock locking inserts
- o Concealed locking bolt
- o Supplied with a 38mm flat cam with 1/4 or 1/2 turn operation
- o Black nickel-plated version available, subject to order quantity

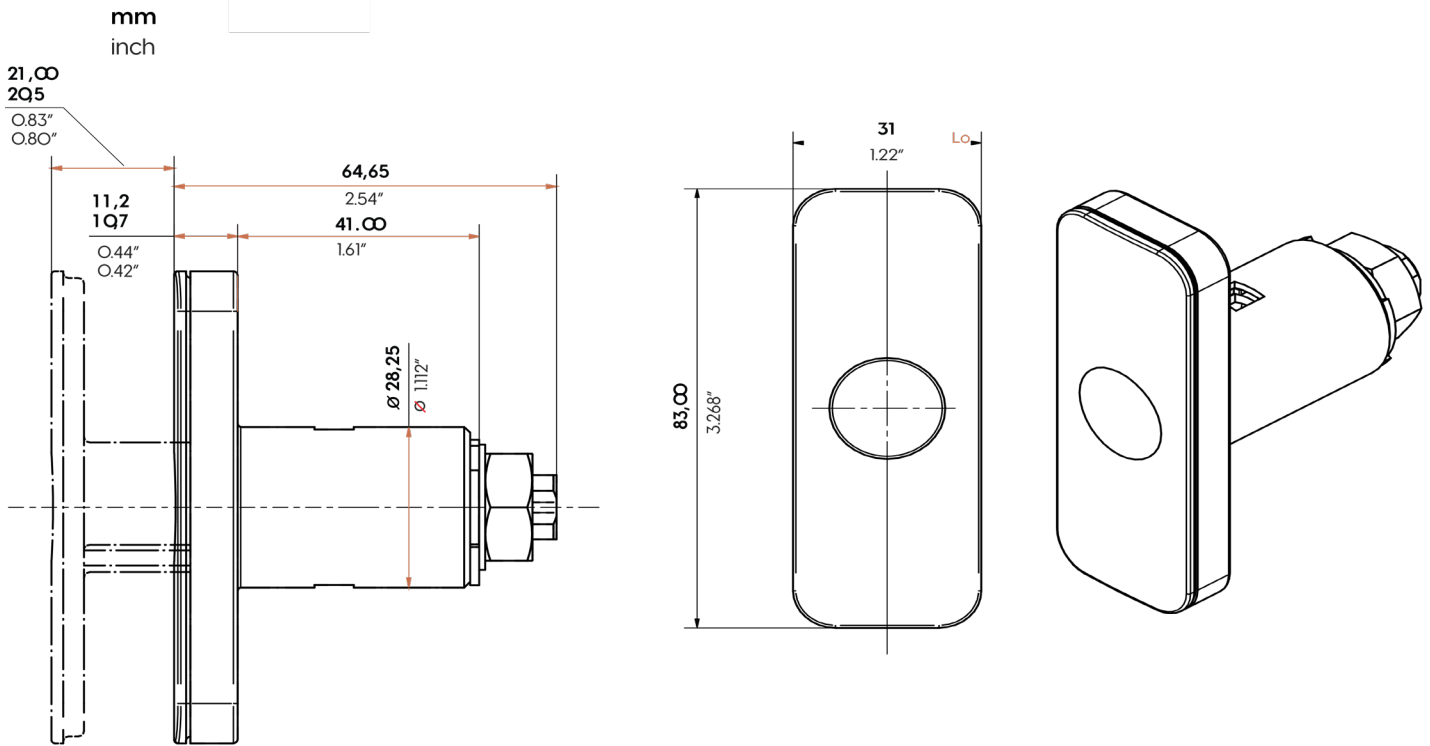
TECHNICAL DATA

Accreditations	NAMA compliant
Locking cylinder	Radial pin tumbler
Material	Zinc alloy
Finish	Polished Chrome with textured scratch resistant face, smooth mirrored finish or black nickel
Stop plate	Yes - fitted. Can be repositioned to allow left or right rotation
Handle operation	When unlocked, rotates 90 or 180 degrees
Fitting	Left or right rotation possible
Patented protection	No
Key registration	Only available on Camlock inserts

**SMARTER
LOCKING**



TECHNICAL DRAWINGS



ADDITIONAL PRODUCT IMAGES

